

BC-4000

Electronic label printing scale

More accurate and faster.



BC-4000 series

Featuring versatile functionality, all coupled with Ishida's quality and reliability makes the BC-4000 series a most for all wholesalers and supermarkets.

HIGH PRECISION

High precision weighing is welcomed by every customer.

Minimum graduation is 1g (For 3/6kg capacity) or 2g (For 6/15kg capacity).

Maximum weighing capacity is 15kg.(For 6kg/15kg capacity)

Large platter surface.

HIGH QUALITY DISPLAY

Bright display with distinct visual effects.

Displayed message can be viewed even from an oblique direction.

Clear figure display.

MEMORY EXPANSION

Memory is capable of storing the transaction data and product master data.(up to 3200 PLU's※)

Memory capacity can be expanded to maximum

4 MB. (Standard: 2MB)

※Based on a 4MB scale with 20 character description per each PLU

Separate key sheet for normal operation and programming.

EASY OPERATION

Simple and convenient operation to call up and program product master data.

Light touch on the numeric keys.

170 preset keys.

Various preset functions and PLU can be assigned to normal operation keysheet.

HI-SPEED QUALITY LABEL PRINTING

Fast,brisk,visible label printing.

Reliable thermal print head with high technology and SSI Database
Various barcodes, ITF, UPC, EAN, can be printed.

Easy creation of label printing formats using i-Label.

Able to create various POP indications on labels for commercial promotion.



Numeric keys are click key type.

POP Labelings



Note the huge visible fonts



SYSTEM INTEGRATION

BC-4000 series processes transaction data statistically for the store management.

SLP-V(Versatile)

Software is designed to operate on Windows 2000, Windows XP and Vista.

Scale Link Pro-V is a powerful computer-based program that integrates into new or existing computer networks using a PC server, multi-store centralized host or single P.C. The point and click menus mean you are able to make price changes immediately or create sale batches, at head office or in store. Distribution can be immediate or time scheduled to all scales. You can create reports showing production totals by operator, hourly, daily, or weekly. With Scale Link Pro-V you will be assured that what is coming in the back door is getting to the scale, and into the cash register.

Integration with other useful Ishida software tools, i-Label and i-View, are available. (The following data could be downloaded by PC at any time.)

Master data of new product, Product alteration, Price alteration, Store name/address, keyboard assignment, Data/Time, Scrolling/Flashing advertising message(BC-4000L2).

Input data into computers for management.



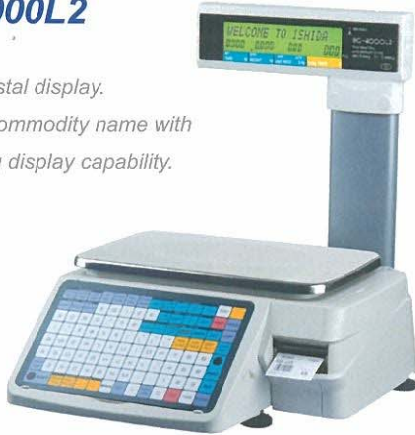
New Member of ScaleLink Pro-V Family

The rapid growth of a network based scale environment and integration of electronic weighing scales has given birth to the Ishida i-Support system which features the following advantages:

1. Adapted to both single-user and multi-user network environment, using Microsoft .Net as the development environment ensures the modularization and reliability of the software. i-Support processes the accessing of multiple users to the electronic scale and database by an independent server application, which guarantees the accessing by multiple user and the reliability of data. The client application can be run on any computer.
2. Integrated with ScaleLink Pro, i-Label and i-View makes the computer based operations even easier.
3. Easy to update, i-Support can be updated by an update package locally or remotely to avoid re-installation.
4. Online real-time data system is more rapid in response time and has even higher data reliability.
5. Easier electronic scale management including information modification, time synchronization, password setting, status monitoring, data download, label management and exception tracing.
6. Maximized data processing automation, minimizes man intervention based on task planning.
7. New disaster recovery method makes the system more reliable and safer.
8. Remote centralized management via WEB.
9. Supports both MDB and SQL databases.

BC-4000L2

Liquid Crystal display.
Displays commodity name with advertising display capability.



Commodity name display.



Advertising display.



Scrolling display, Flashing advertising display.

BC-4000S2

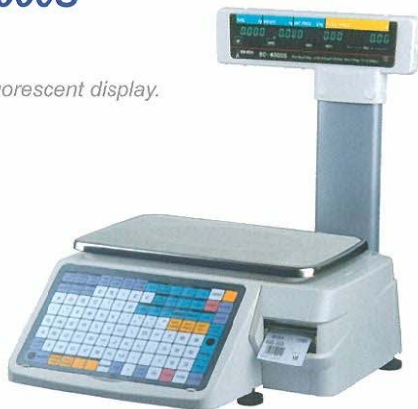
Bright Fluorescent display.
Displays commodity name with advertising display capability.



Available in 2008

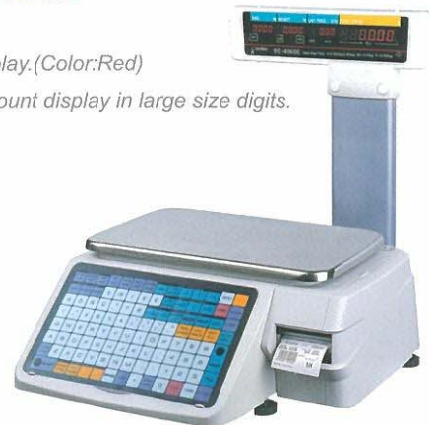
BC-4000S

Bright Fluorescent display.



BC-4000E

LED display.(Color:Red)
Total amount display in large size digits.



BC-4000 has various models to meet requirements of different customers.

BENCH TYPE MODEL



Suitable for bakeroom and box weighing.
BENCH Type is available
in BC-4000 L2/E and S versions.



HANGING TYPE MODEL



Stainless steel design with a weighing
unit of 6/15kg is more suitable for fish
environments.
Available in BC-4000 L2 and S versions.



BC-4000 series availability

	BENCH	POLE	HANGING
BC-4000L2	○	○	○
BC-4000S	○	○	○
BC-4000E	○	○	×
BC-4000S2	×	○	×

Superior performance in shape, features with additional be price

The new BC-4000 series is cost effective .

Simple programming tool.

Using ISHIDA PC based software, you can quickly edit PLU on a PC and communicate via TCP/IP.

Fast printing

Printing speed is 80mm per second.

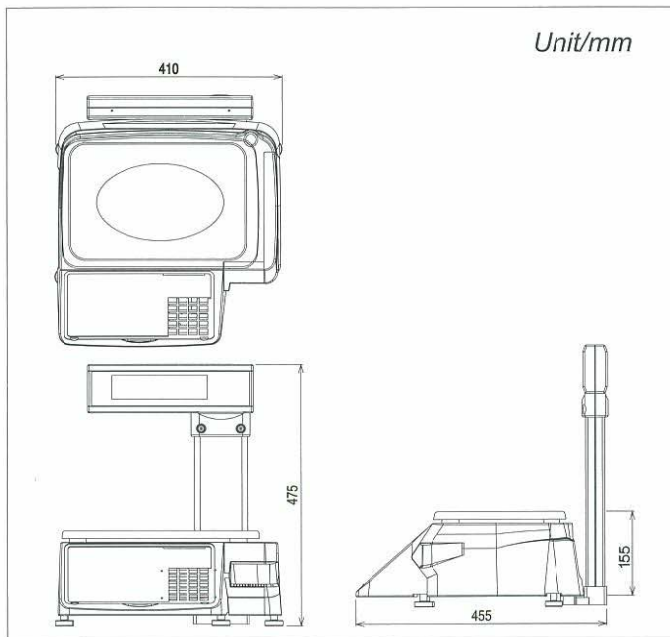
Various multi-functional keys

Frequently used PLUs can be assigned to preset keys for one touch operation. Various function keys, including operators, batch nds, peel timing, Discount functions etc can be easily assigned to the preset keys for additional opèrational functionality.

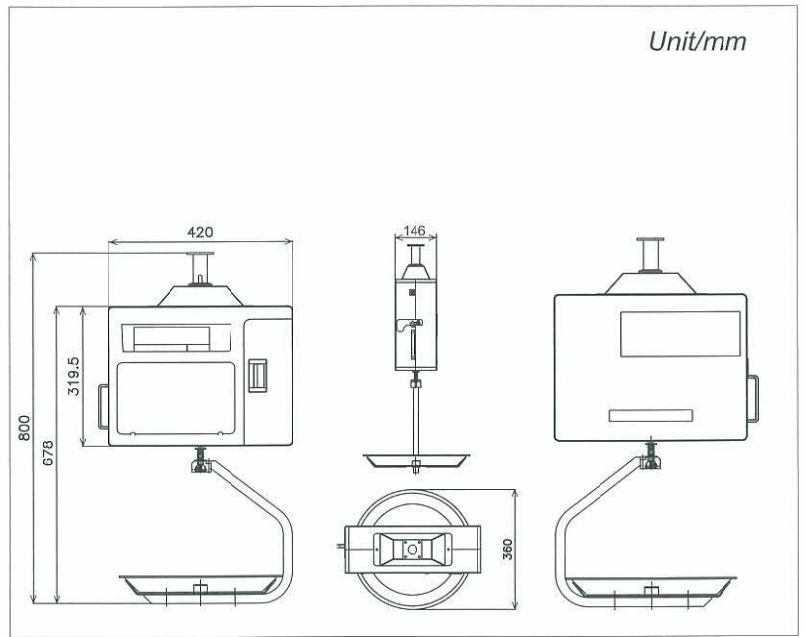
Memory expandable to 4MB

Specifications

Model Name	BC-4000 series	
Keyboard	Pole Type	170 preset keys + 27 numeric function keys
	Bench Type	88 preset keys + 27 numeric function keys
Capacity	6kg/2g, 15kg/5g (DUAL RANGE)	
Max.weighing capacity	15kg(6kg)	
Min.weighing capacity	40g(20g)	
Min.graduation	2/5g(1/2g)	
Accuracy	1/3000	
Communications	TCP/IP	
Display	Tare 4 digits, Weight 5 digits, Unit Price 5 digits, Total Price 6 digits	
Printing speed	80mm/sec.	
Power supply	AC 220V/240V,50/60Hz AC :100V/120V,60Hz (US & Canada)	
Power consumption	50W (stand-by)/100W(in operation)	
Operating temperature	-5 C to + 40 C	
Operating humidity	15%RH to 85%RH	
Label width	38 to 64 mm	
Label printing width	Max 56 mm	
Label length	30 to 175 mm	
Label backing paper width	Max 67 mm	
Label roll dimension	Inside diameter: ϕ 40mm Outside diameter: Max ϕ 100mm	



Optional Pole Height: 565mm(LONG POLE VERSION)



Adress:44,SANNO-CHO,SHOGOIN,SAKYO-KU,
KYOTO 606-8392 JAPAN
Tel : 81-75-751-0973
Facsimile : 81-75-751-1634
URL:<http://www.ishidajapan.com>

Design and specifications are subject to change without notice